

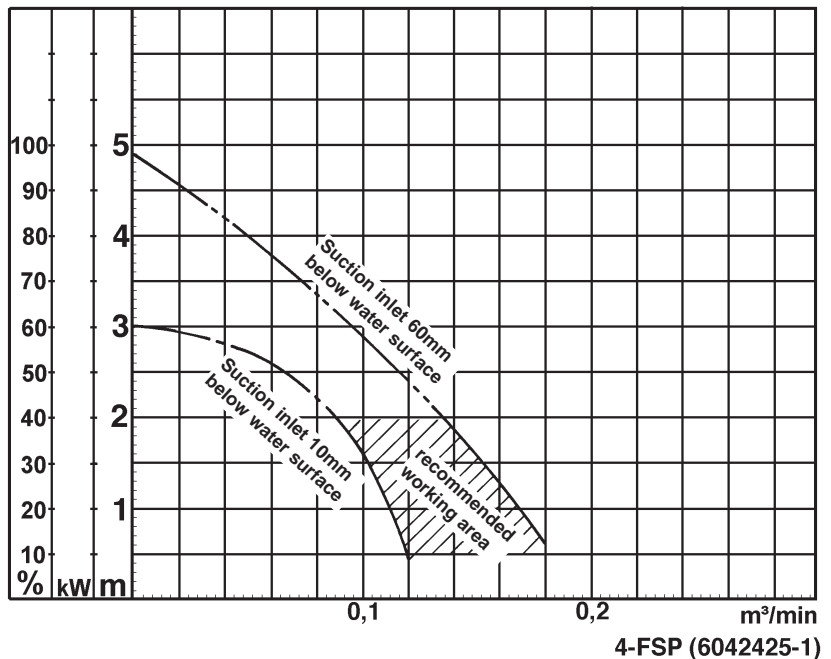
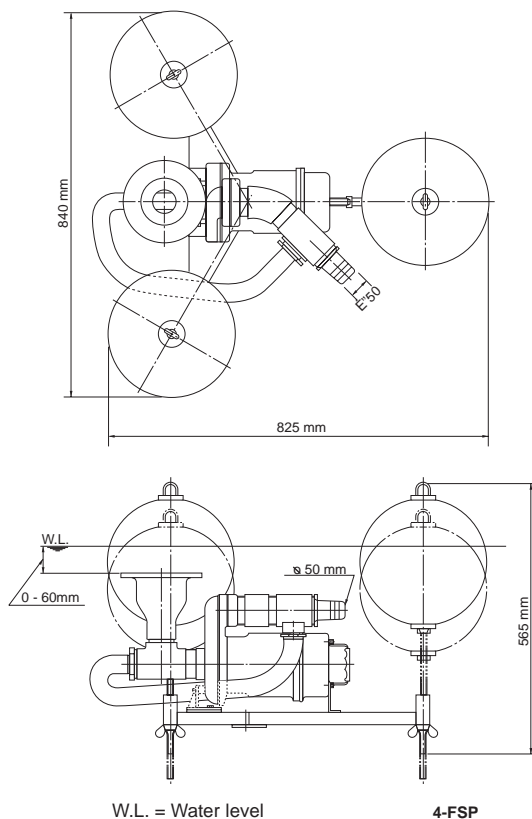


# TSURUMI PUMP

## 4-FSP

- data sheet
  - parts list
  - dimensional drawing
  - sectional drawing
  - performance curve
- 
- parts list as Excel-spreadsheet

# Data Sheet 4-FSP



## Classification

Electric scum skimmer  
 Protection class IP68  
 Vortex impeller  
 Impeller passage 16mm  
 Collection and return of floating scum at  
 sewage treatment plants

## Electric Motor

Dry-type submersible induction motor,  
 Insulation class E, 2 poles, 2850 r.p.m.  
 Direct on line start  
 Voltage: 400V, 50Hz, 3-phase  
 Power input: 0,53kW  
 Power output: 0,4kW  
 Nominal current: 1,1A  
 Start current: 5,4A

## Electric Cable

10m H07RN-F 4Cx1,5mm<sup>2</sup>

## Motor Protection

Circle thermal protector  
 (snap-action bi-metal device)

## Shaft Seal

Double mechanical seal in oil bath  
 Primary Seal:  
 silicon carbide on silicon carbide  
 Secondary Seal:  
 ceramic on carbon

## Bearings

Shielded ball bearings, maintenance-free

## Materials

Float:	Plastic
Impeller:	FC200 (EN-GJL-200)
Casing:	FC200 (EN-GJL-200)
Motor frame:	FC200 (EN-GJL-200)
Shaft:	SUS403 (EN-X6Cr13)

## Discharge Connection

2" (50mm) Hose coupling

## Weight

36 kg (dry weight of the pump without cable)

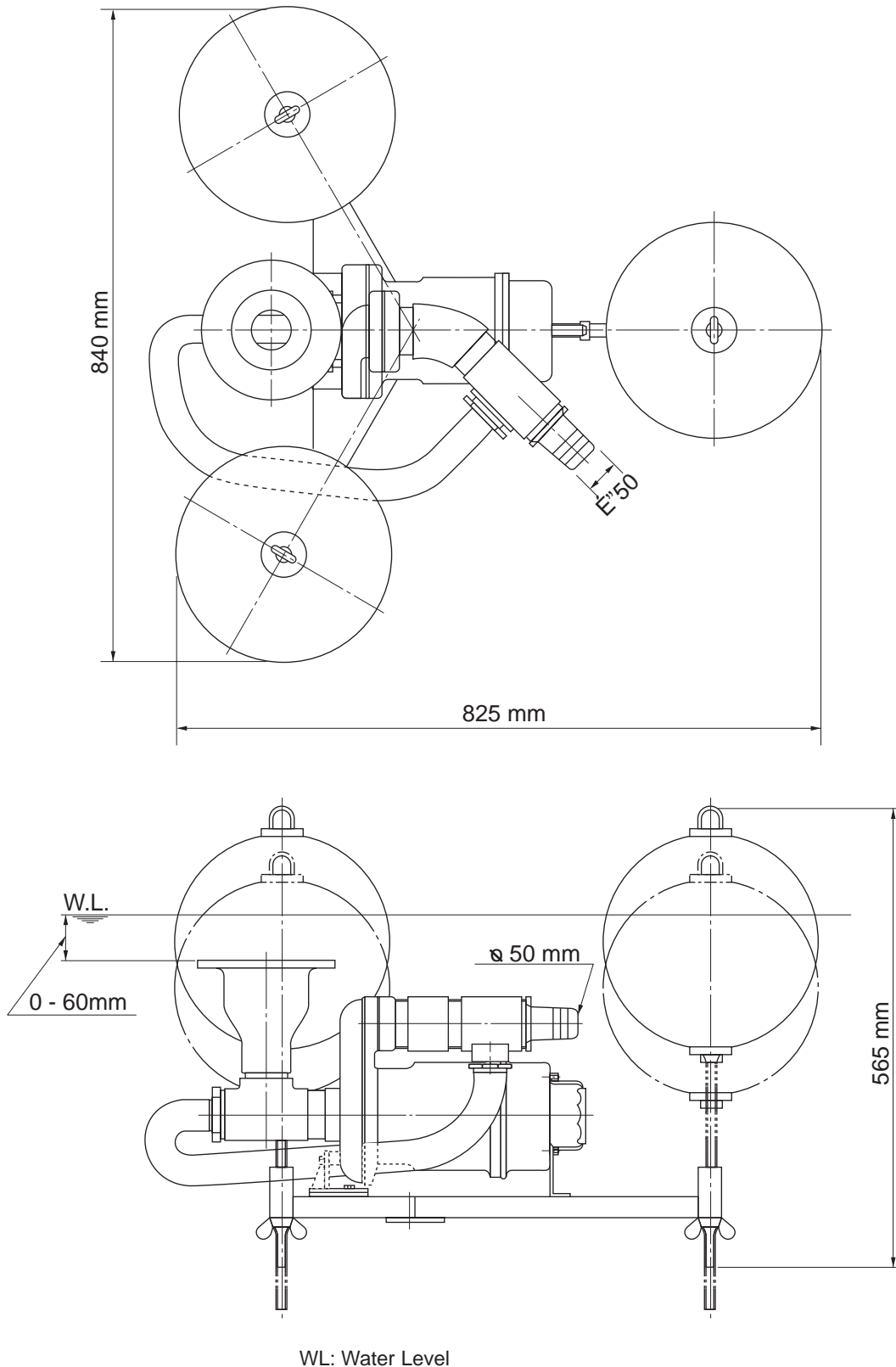
# 4-FSP

Control No. FSP-1-3-1

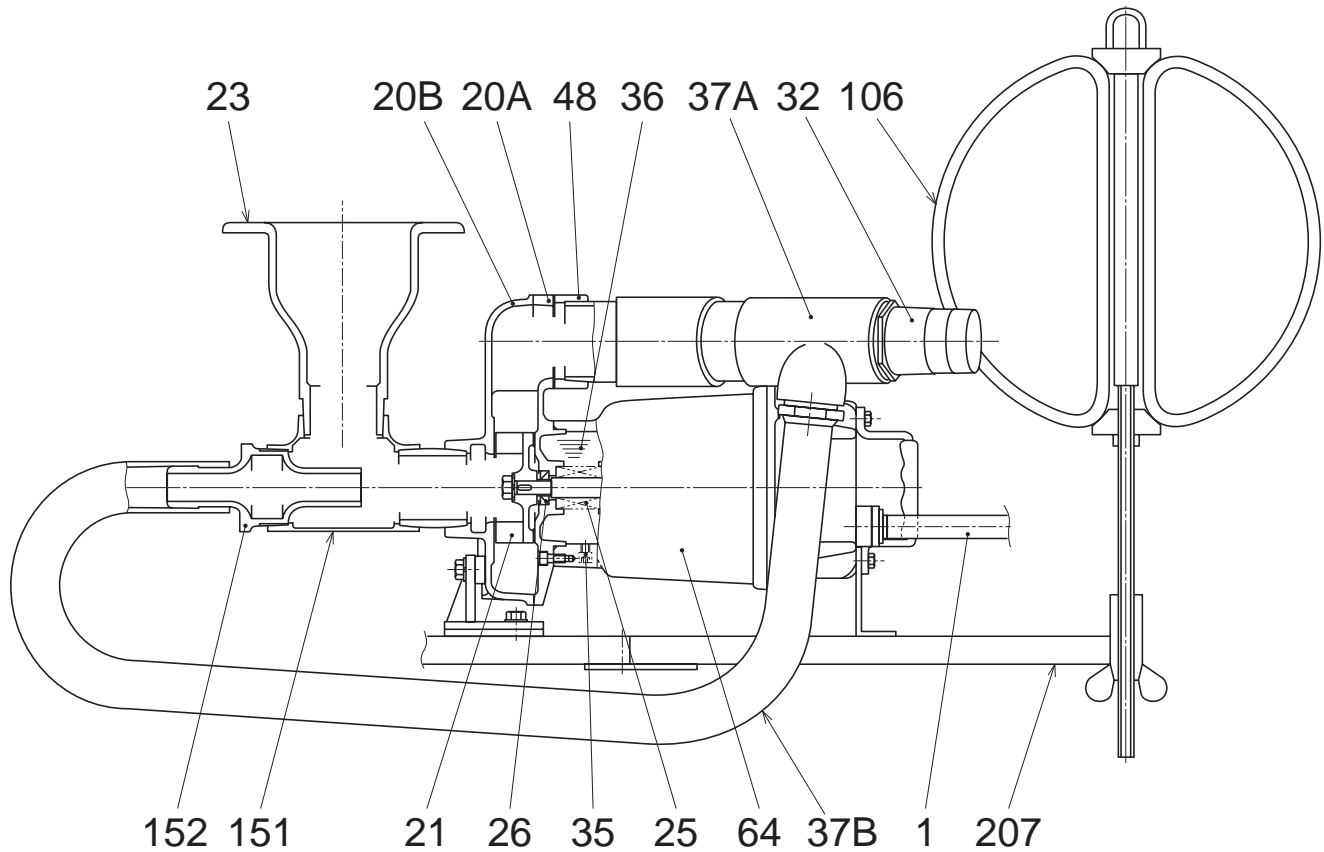
09.12.98

ITEM	CODE No.	DESCRIPTION	Q'TY	SIZE	MATERIAL	REMARKS
1	001-482-16	Cabletyre Cable Set	10m	H07RN4Cx1,5mm <sup>2</sup> (CEE)	LBT (HAR)	
20a	020-370-19	Upper Pump Casing	1	4-A(T) / 4-N (S)	Cast Iron	
20b	020-574-15	Lower Pump Casing	1	4-FSP	Cast Iron	
21	021-283-17	Impeller	1	4-A(T) / 50Hz	Cast Iron	
23	020-564-12	Suction Cup	1		Resin	
25	025-290-19	Mechanical Seal	1	W-14HL	SIC+CCBN	Oil 170ml (ISO VG32)
26	026-100-14	Oil Seal	1	SC-15287	NBR	
32a	032-164-28	Screw Hose Coupling	1	40mm	Resin	
32b	032-165-29	Screw Hose Coupling	1	50mm	Resin	
35	035-111-29	Oil Plug	1	M10x10	SUS304	
37a		Tee	1	2"x2"x1,5"		
37b		Hose	1	1,5"x900mm		
40	040-100-21	Impeller Shim		11,2x17x0,3t	SUS304	
48	048-103-28	Screw Flange	1	50mm (P.C. 90)	Resin	
50	050-246-18	Motor Bracket	1		Cast Iron	
51	051-157-14	Head Cover	1	M6	Cast Iron	
52a	052-100-15	Upper Bearing	1	6201ZZC3		
52b	052-101-16	Lower Bearing	1	6202ZZC3		
53	053-174-13	Motor Protector	1	KA311DAT74		
55	055-358-19	Rotor & Shaft	1			
56		Stator	1			
61	061-157-15	Bearing Collar	1	15,1x21x1,0t	Steel	
64	064-312-19	Motor Frame	1		Cast Iron	
68	068-146-38	Handle	1	A-Series	Resin	
71	071-112-19	Shaft Sleeve	1	14,8x111	SUS430	
106	106-011-18	Float	3	10b-3		
152	032-211-18	Hose Coupling	1		Resin	
	044-004-13	Fixing Stand	1		Steel	
207	044-007-16	Pump Base	1	M16	Steel	
	173-315-13	Packing O-Ring Set	1			

# Dimensional Drawing 4-FSP



# Sectional Drawing 4-FSP



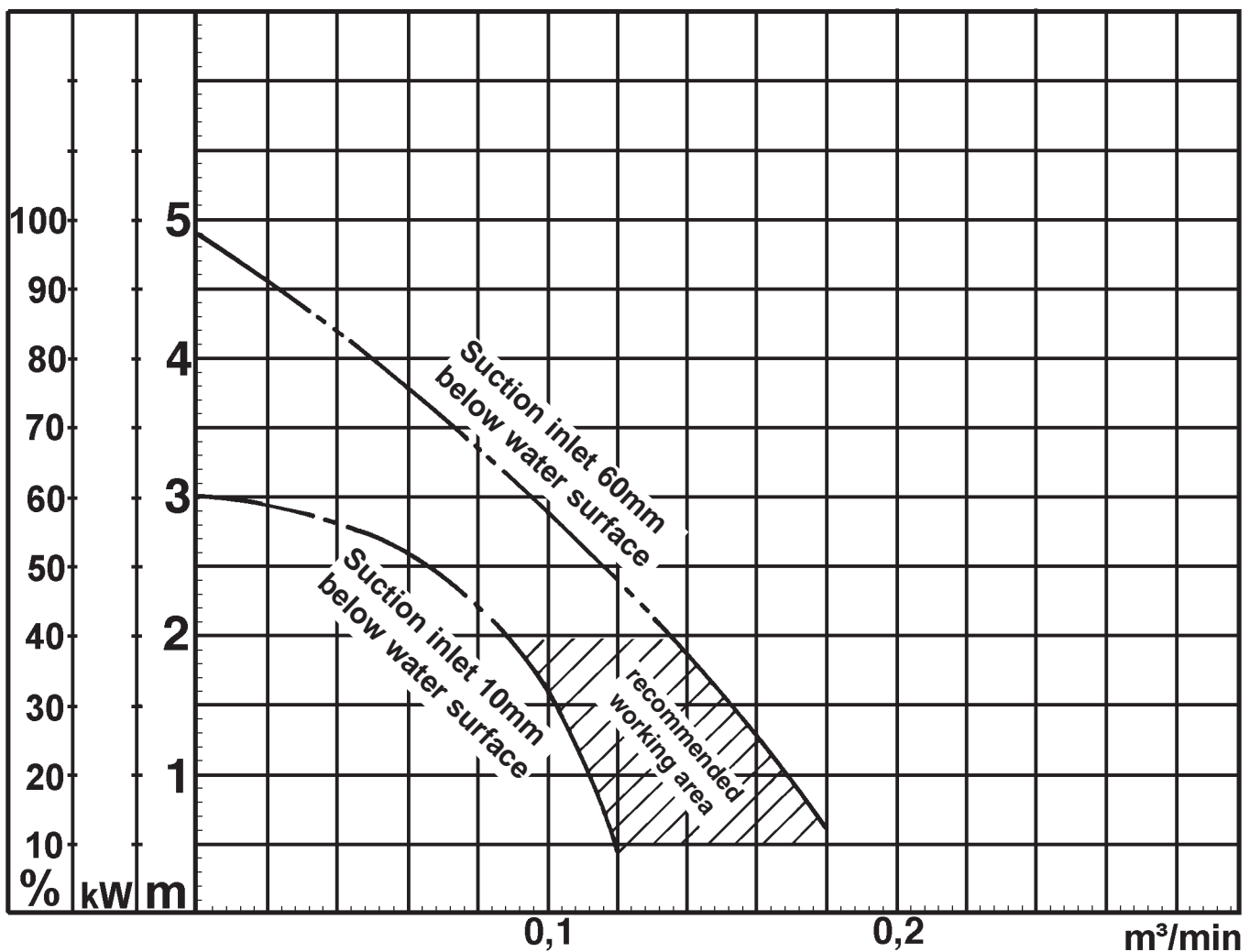
**4-FSP**

No.	Description	Qty.	Remarks	No.	Description	Qty.	Remarks
1	Cable	1	H07RN-F	106	Float	3	ABS Plastic
20A	Upper Pump Casing	1	FC200 (EN-GJL-200)	151	Suction Casing	1	Malleable Iron Casting FCMB
20B	Lower Pump Casing	1	FC200 (EN-GJL-200)	152	Nozzle	1	Plastic
21	Impeller	1	FC200 (EN-GJL-200)	207	Pump Base	1	SS400 (DIN 1.0040) & Steel Pipe
23	Suction Mouth	1	Plastic				
25	Mechanical Seal	1	W-14H				
26	Oil Seal	1	SC-15287				
32	Hose Coupling	1	Plastic				
35	Oil Plug	1	SUS304 (EN-X5CrNi18-10)				
36	Lubricant		Turbine Oil (ISO VG32)				
37A	Discharge Pipe	1	Malleable Iron Casting FCMB				
37B	By-pass Hose	1	Vinyl Suction Hose				
48	Screw Flange	1	Plastic				
64	Submersible Motor	1					

# Pump Performance Curve

## 4-FSP

Discharge Bore	50 mm
Total Head	2 m
Capacity	0,13 m <sup>3</sup> /min
Motor Output	0,40 kW
Motor Input	0,53 kW
Phase	3
Voltage	400 V
Frequency	50 Hz
Rated Current	1,1 A
Starting Current	5,4 A
Poles	2
Revolution	S.S. 2850 r.p.m.
Starting Method	direct on line
Insulation Class	E



4-FSP (6042425-1)