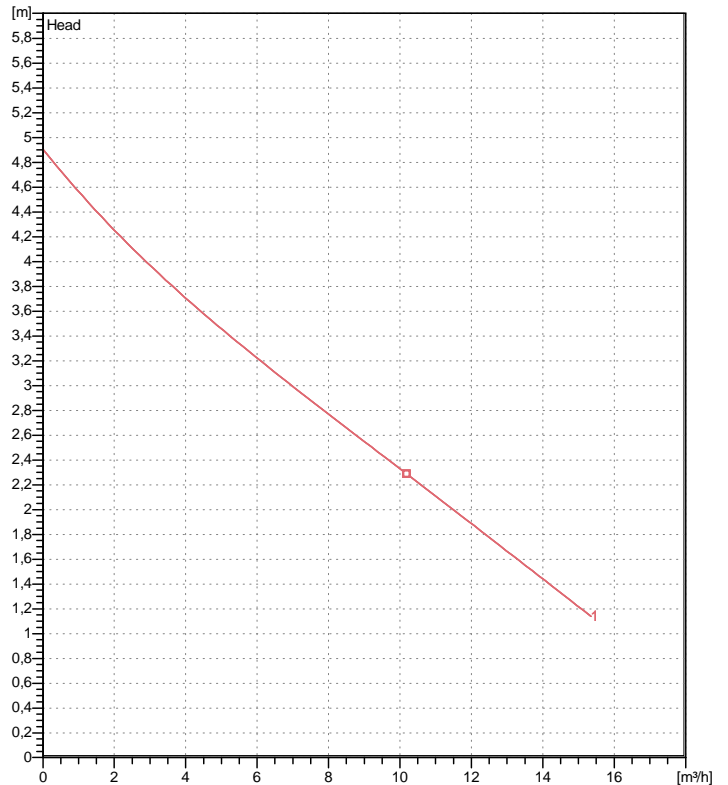
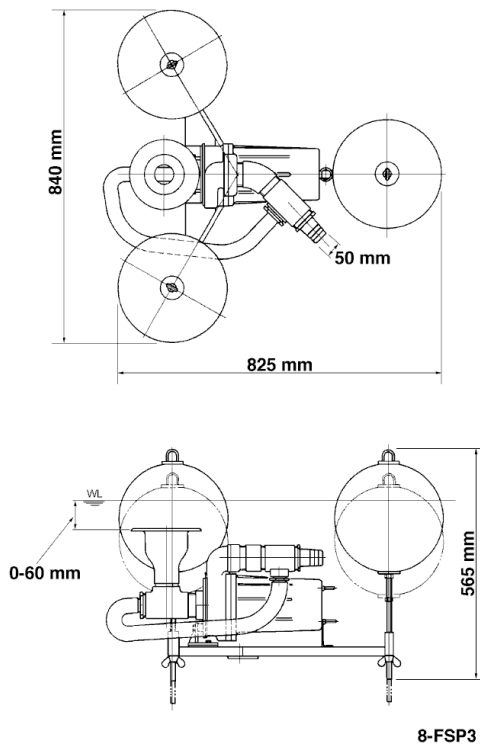


# Data sheet 8-FSP3



## Specification

scum skimmer  
 Degree of protection IP 68  
 Type of impeller Single channel impeller  
 Free passage 22 mm  
 Suitable for:  
 collection and return of floating scum

## Electric motor

Dry-type submersible induction motor  
 Insulation class E 2Poles 2810 1/min  
 Starting mode Directly  
 Rated voltage 400 V 50 Hz 3~  
 Power uptake 1,13 kW  
 Rated power 0,75 kW  
 Rated current 1,9 A  
 Start current 8,5 A

## Cable

10m H07RN-F 4Cx1,5mm²

## Motor Protection

Circle thermal protector  
 (snap-action bi-metal device)

## Shaft seal

Double inside mechanical seal in oil bath

Primary seal  
 Silicon carbide on ceramic  
 Secondary seal  
 Ceramic on carbon

## Bearings

Shielded ball bearings, maintenance-free

## Materials

Float (3x)	ABS Plastic
Impeller	FC200 (EN-GJL-200)
Pump casing	FC200 (EN-GJL-200)
Motor Frame	FC150 (EN-GJL-150)

## Discharge size

50mm Hose coupling

## Weight

38 kg (dry weight of the pump only without cable)

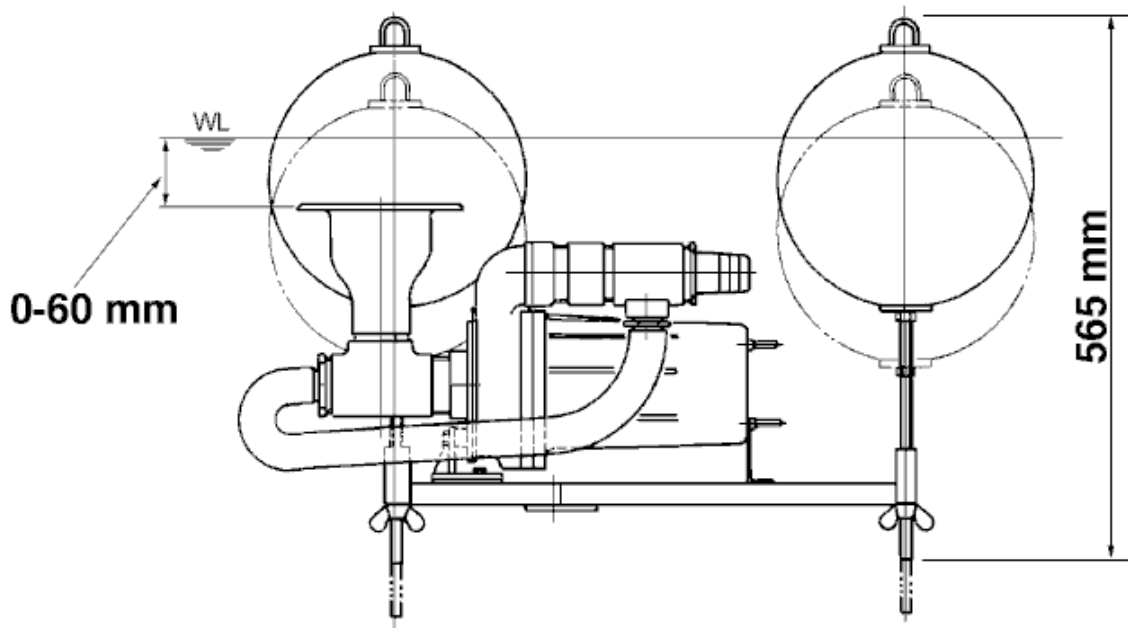
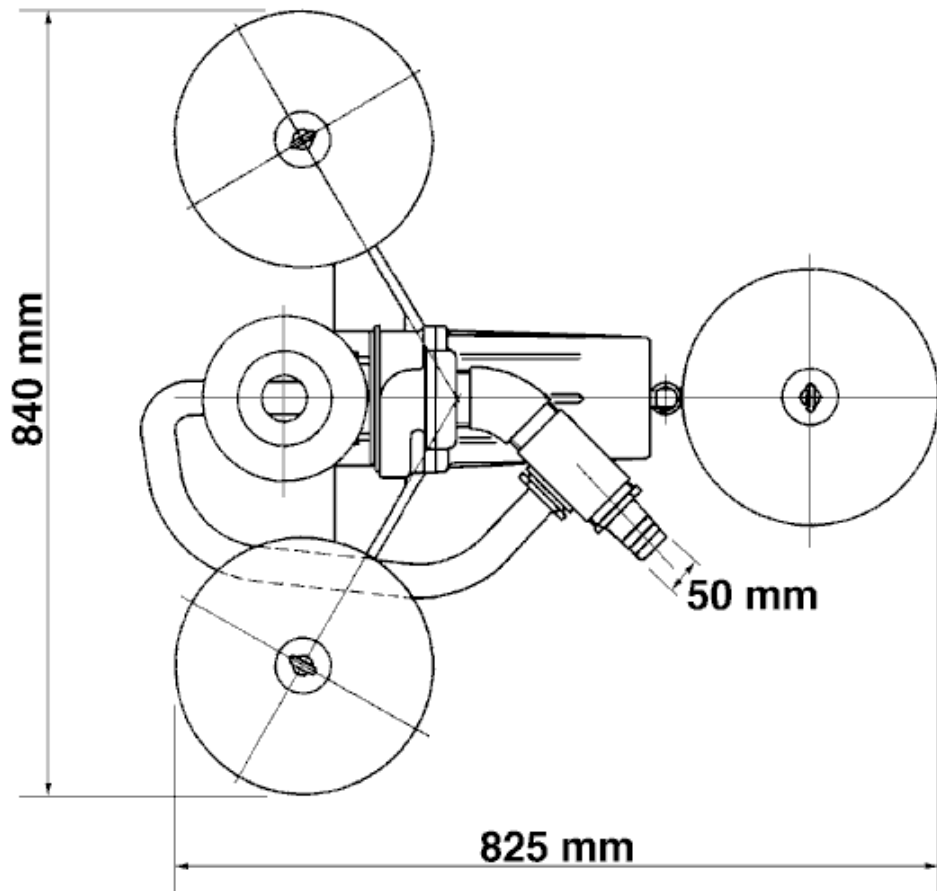
# Performance curve

## 8-FSP3

Discharge port	2"
Head	4,9 m
Flow	15,4 m <sup>3</sup> /h
Rated power	0,75 kW
Power input	1,13 kW
Phases	3~
Voltages	400 V
Frequency	50 Hz
Rated current	1,9 A
Starting current	8,49 A
Number of poles	2
Speed	2810 1/min
Starting mode	Directly
Insulation class	E



# Dimensions 8-FSP3



**8-FSP3**

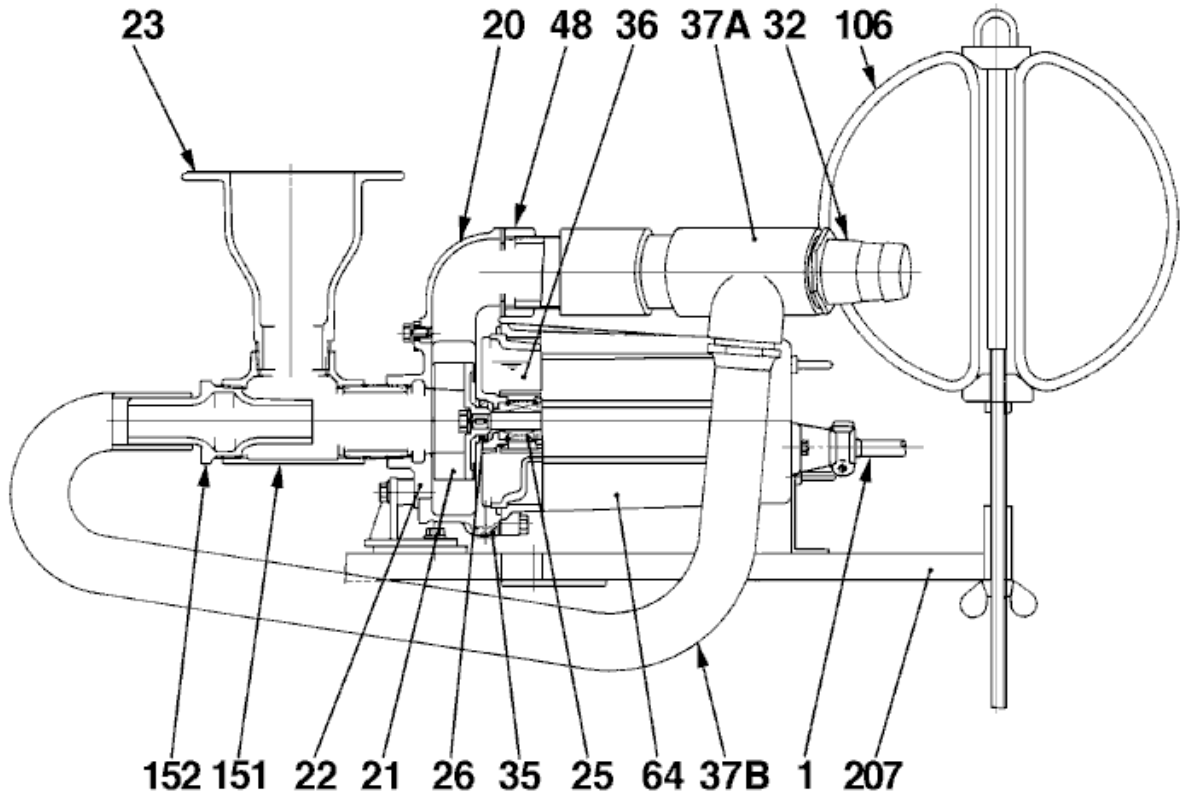
CWL: Continuous running water level  
LWL: Lowest running water level

 **TSURUMI PUMP**

Tsurumi Europe GmbH  
22.06.2015 V.17 / 1.12.2014

Helstorfer Str. 14 \* 40472 Düsseldorf \* Germany  
Tel.: +49-211-4179373 sales@tsurumi.eu  
Fax: +49-211-4791429 www.tsurumi.eu

# Sectional drawing 8-FSP3



**8-FSP3**

No.	Description	Remark	No.	Description	Remark
1	Cable	H07RN-F	152	Valve	Plastic
20	Pump casing	FC200 (EN-GJL-200)	207	Frame	DIN 1.0040 & SGPW
21	Impeller	FC200 (EN-GJL-200)			
22	Suction cover	FC200 (EN-GJL-200)			
23	Induction funnel	Plastic			
25	Mechanical seal	W-14HL			
26	Oil casing	SC-22357			
32	Coupling Set &	Plastic			
35	Oil screw	SUS304 (EN-X5CrNi18-10)			
36	Lubricant	Turbine oil (ISO VG32)			
37A	Outlet	Black malleable cast iron			
37B	Branch pipe hose	Vinyl			
48	Screwed Flange	Plastic			
64	Motor Frame	FC150 (EN-GJL-150)			
106	Float (3x)	ABS Plastic			
151	Suction cover	Black malleable cast iron			