

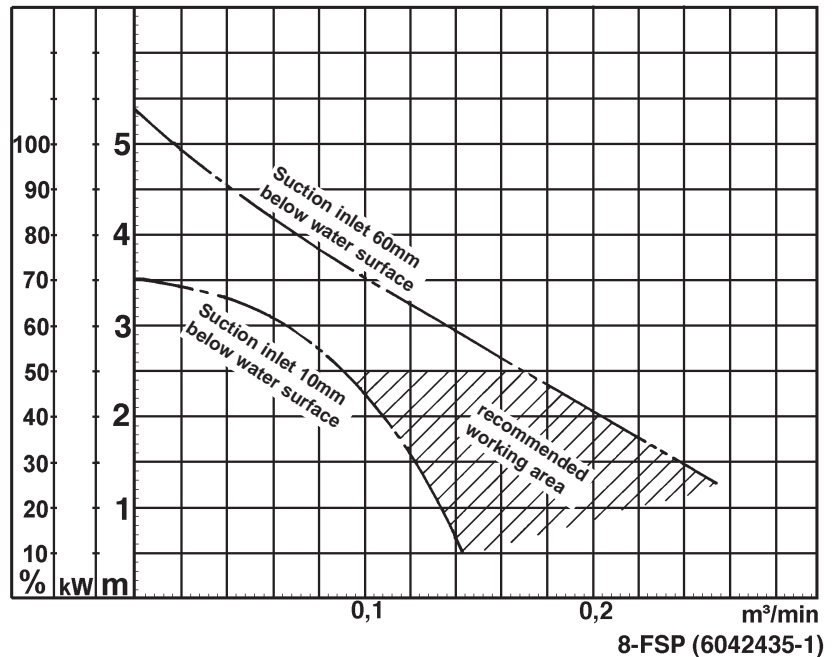
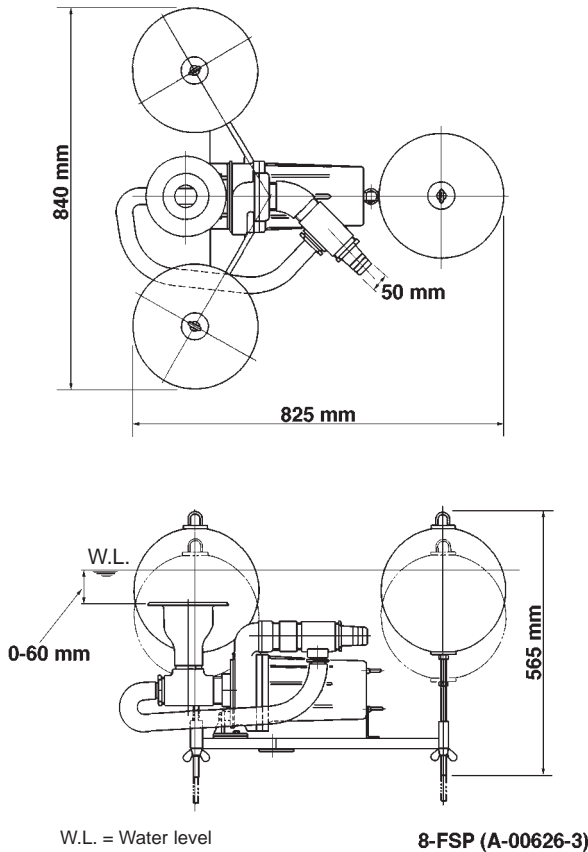


TSURUMI PUMP

8-FSP

- data sheet
 - parts list
 - dimensional drawing
 - sectional drawing
 - performance curve
-
- parts list as Excel-spreadsheet

Data Sheet 8-FSP



Classification

Electric scum skimmer
 Protection class IP68
 Vortex impeller
 Impeller passage 22mm
 Collection and return of floating scum at
 sewage treatment plants

Electric Motor

Dry-type submersible induction motor,
 Insulation class E, 2 poles, 2850 r.p.m.
 Direct on line start
 Voltage: 400V, 50Hz, 3-phase
 Power input: 1,10kW
 Power output: 0,75kW
 Nominal current: 2,1A
 Start current: 9,9A

Electric Cable

10m H07RN-F 4Cx1,5mm²

Motor Protection

Circle thermal protector
 (snap-action bi-metal device)

Shaft Seal

Double mechanical seal in oil bath
 Primary Seal:
 silicon carbide on silicon carbide
 Secondary Seal:
 ceramic on carbon

Bearings

Shielded ball bearings, maintenance-free

Materials

Float:	Plastic
Impeller:	FC200 (EN-GJL-200)
Casing:	FC200 (EN-GJL-200)
Motor frame:	FC200 (EN-GJL-200)
Shaft:	SUS403 (EN-X6Cr13)

Discharge Connection

2" (50mm) Hose coupling

Weight

37,5 kg (dry weight of the pump without cable)

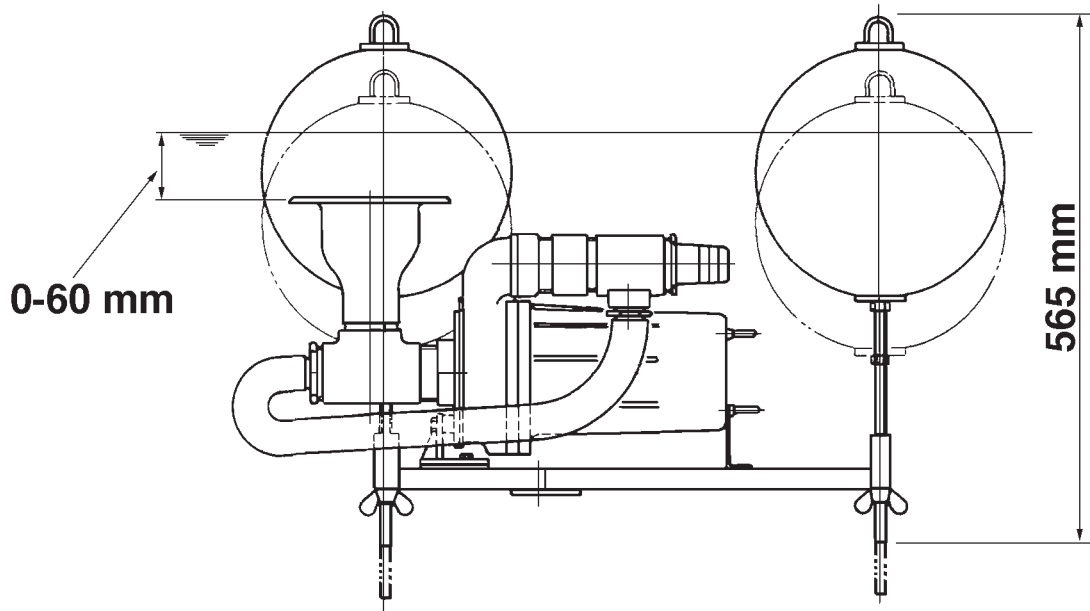
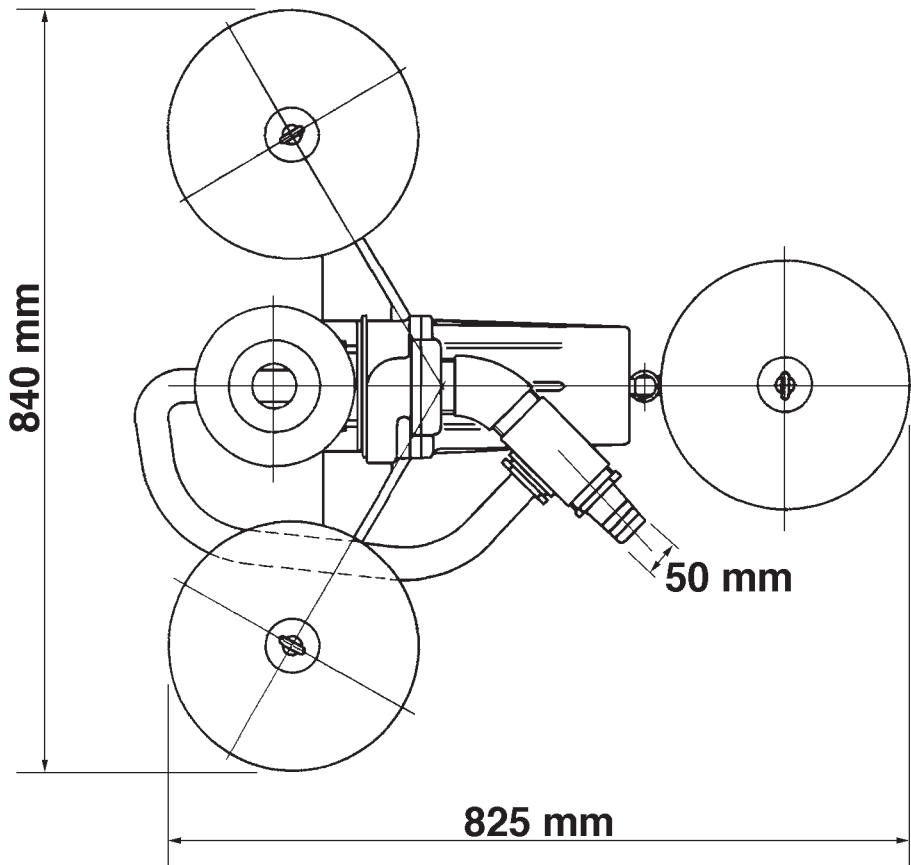
8-FSP

Control No. FSP-2-3-1

13.09.00

ITEM	CODE No.	DESCRIPTION	Q'TY	SIZE	MATERIAL	REMARKS
1	001-482-16	Cabletyre Cable Set	10m	H07RN4Cx1,5mm ² (CEE)	LBT (HAR)	
20	020-504-14	Pump Casing	1	8-AT	Cast Iron	
21	021-744-11	Impeller	1	8-AT	Cast Iron	
22	022-548-16	Suction Cover	1		Cast Iron	
23	020-564-12	Suction Cup	1		Resin	
25	025-290-19	Mechanical Seal	1	W-14HL	SIC+CCBN	Oil 420ml (ISO VG32)
26	026-178-13	Oil Seal	1	SC-22357	NBR	
30	030-116-16	Oil Ring	1	LB Type	Resin	
32a	032-164-28	Screw Hose Coupling	1	40mm	Resin	
32b	032-165-29	Screw Hose Coupling	1	50mm	Resin	
35	035-112-17	Oil Plug	1	M8x12	SUS304	
37a		Tee	1	2"x2"x1,5		
37b		Hose	1	1,5"x900mm		
40	040-100-21	Impeller Shim	1	11,2x17x0,3t	SUS304	
48	048-103-28	Screw Flange	1	50mm (P.C. 90)	Resin	
52a	052-102-17	Upper Bearing (old)	1	6203ZZC3		
52a	052-186-15	Upper Bearing (new)	1	AC-6203ZZC3		
52b	052-106-11	Lower Bearing	1	6303ZZC3		
53	053-239-17	Motor Protector	1	KA311DAXL66		
55	055-736-15	Rotor & Shaft	1			
56		Stator	1			
58	058-115-11	Wire Protection Plate	1		Resin	
60	060-230-10	Bearing Housing	1		Cast Iron	
61	061-152-10	Bearing Collar	1		Steel	
64	064-276-23	Motor Frame	1		Cast Iron	
72	072-105-12	Eye Bolt	2	M8	Steel	
106	106-011-18	Float	3	10B-3		
151		Tee	1	2"		
152	032-211-18	Hose Coupling w/Nozzle	1		Resin	
	044-004-13	Fixing Stand	1		SS	
207	044-003-12	Pump Base	1		Steel	
	173-295-16	Packing O-Ring Set	1 Set			

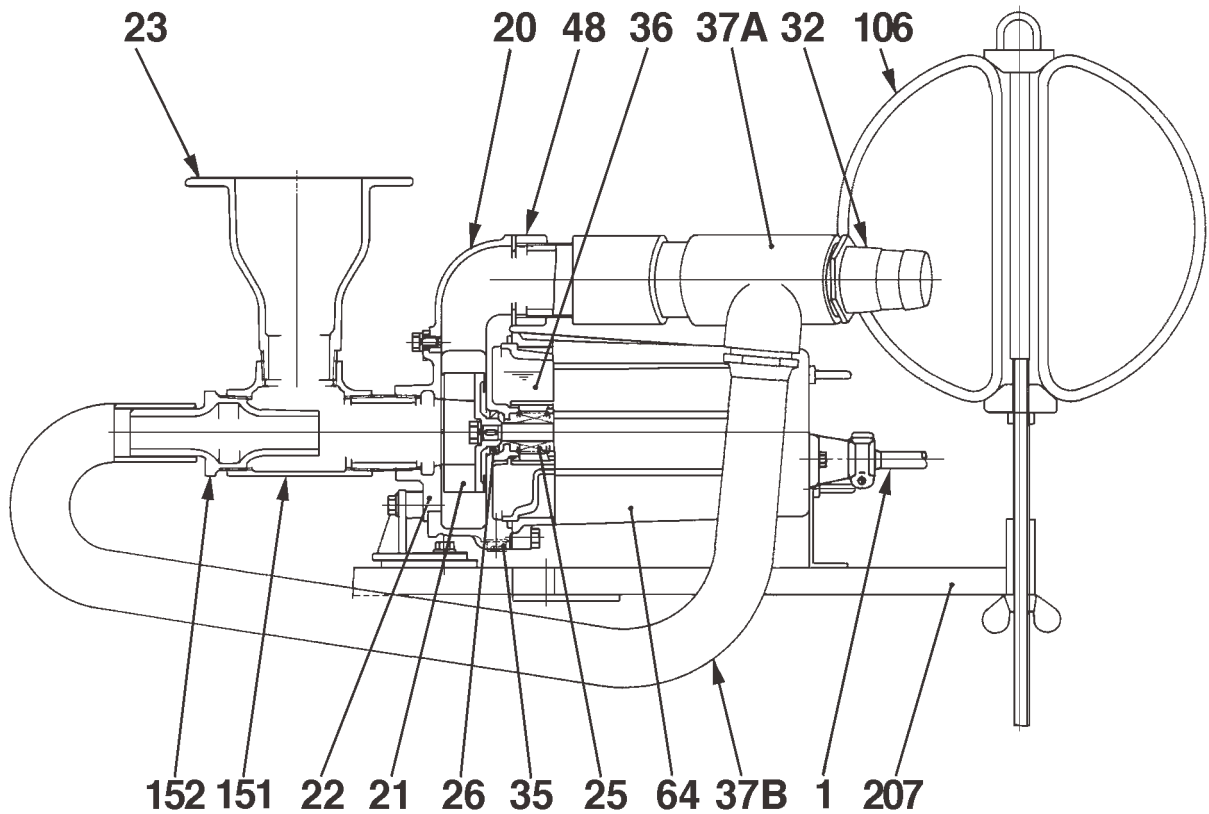
Dimensional Drawing 8-FSP



WL: Water Level

8-FSP (A-00626-3)

Sectional Drawing 8-FSP



8-FSP (A-00627-3)

No.	Description	Qty.	Remarks	No.	Description	Qty.	Remarks
1	Cabtyre Cable	1	H07RN-F	106	Float	3	ABS Plastic
20	Pump Casing	1	FC200 (EN-GJL-200)	151	Suction Casing	1	Malleable Iron Casting FCMB
21	Impeller	1	FC200 (EN-GJL-200)	152	Nozzle	1	Plastic
22	Suction Cover	1	FC200 (EN-GJL-200)	207	Pump Base	1	SS400 (DIN 1.0040) & Steel Pipe
23	Suction Mouth	1	Plastic				
25	Mechanical Seal	1	W-14H				
26	Oil Seal	1	SC-22357				
32	Hose Coupling	1	Plastic				
35	Oil Plug	1	SUS304 (EN-X5CrNi18-10)				
36	Lubricant		Turbine Oil (ISO VG32)				
37A	Discharge Pipe	1	Malleable Iron Casting FCMB				
37B	By-pass Hose	1	Vinyl Suction Hose				
48	Screw Flange	1	Plastic				
64	Submersible Motor	1					

Pump Performance Curve

8-FSP

Discharge Bore	50 mm
Total Head	2 m
Capacity	0,20 m ³ /min
Motor Output	0,75 kW
Motor Input	1,10 kW
Phase	3
Voltage	400 V
Frequency	50 Hz
Rated Current	2,1 A
Starting Current	9,9 A
Poles	2
Revolution	S.S. 2850 r.p.m.
Starting Method	direct on line
Insulation Class	E

